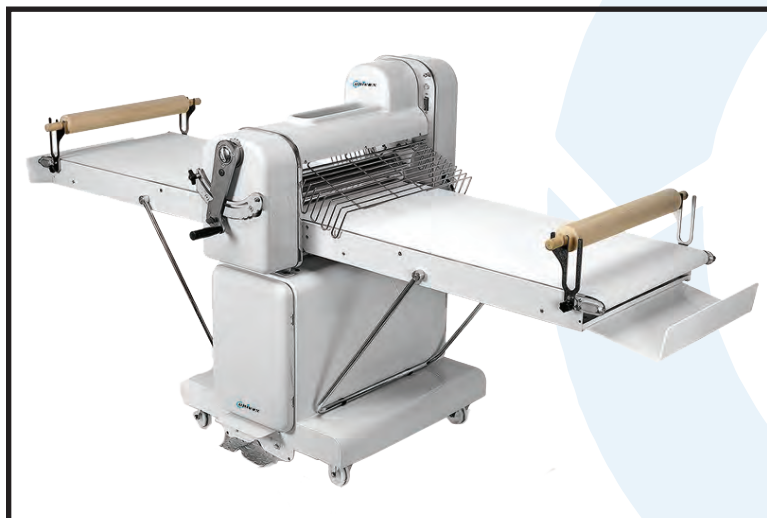


Project _____

Item Number _____

Quantity _____

SFG500T/TM



Reversible Dough Sheeter

Models:

- SFG500T: Floor Model
- SFG500TM: Floor Model



Dough Sheeter

Features:

- Reversible dough sheeter
- Hand operation for thickness and foot pedal operation for carpet (left to right)
- 0 to 1.9" (4.8cm) adjustable cylinder, separation changes dough thickness
- Hard chrome polished cylinders
- Tables fold upright for storage and movement
- Powerful 3/4 hp motor
- Sheets dough onto rolling pins to allow for transport of rolled dough to work area
- Interlock switches protect operator from injury if safety guard is opened
- Pivoting and removable arms
- Convenient storage in base for rolling pins

Standard Accessories:

- Heavy duty rolling pins
- Designated area for flour storage for use while sheeting

Optional Accessory:

- Hand operation for carpet (left to right) need to specify when ordering

Warranty:

- One year, on-site parts and labor

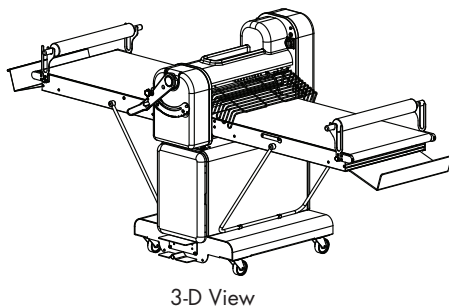
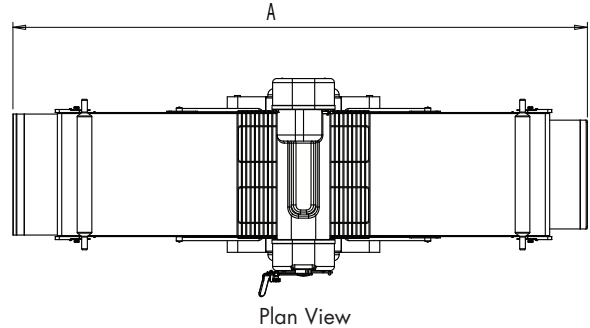
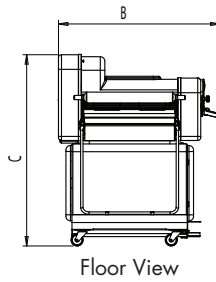
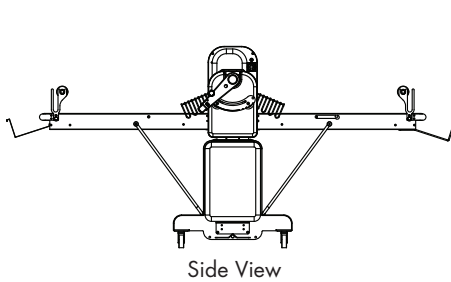
Univex Corporation



WE RAISE THE BAR. WE SET THE STANDARD.

Reversible Dough Sheeter

SFG500T / TM



Line drawing is the SFG500TM

	SFG500T	SFG500TM
A	75.6" (192cm)	111.2" (282.5cm)
B	38.3" (97.3cm)	42.2" (107.2cm)
C	50" (127cm)	50" (127cm)

Other Dimensions					
Model	Base Length	Belt Width	Length Folded	Height Folded	Carpet Length
SFG500T	29.625" (75.3cm)	19.75" (50.2cm)	29.625" (75.3cm)	58.375" (148.3cm)	27.625" (70.2cm)
SFG500TM	29.625" (75.3cm)	19.75" (50.2cm)	43.375" (110.2cm)	75.625" (192.3cm)	46.5" (118.1cm)

Controls: Main power switch, emergency stop switch and direction control lever and foot pedal for forward and reverse table directions. Manually adjustable space between rolling cylinders adjusts in increments from 0" to 1.9" (0 to 4.8cm)

Drive: Chain drive

NEMA #: L-15-20

Optional Voltage:

SFG500T & SFG500TM:
115/60/1
220/60/1
400/60/1
400/60/3

Electrical Information (60Hz)				
Model	Standard Voltage	Phase	hp(kW)	Amps
SFG500T	220	3	0.75 (0.55)	2.60-7.35
SFG500TM	220	3	0.75 (0.55)	2.60-7.35

Shipping Information			
Model	Net Weight	Shipping Weight	Overall Dimensions
SFG500T	375 lbs. (170Kg)	408 lbs. (185Kg)	61.4" (156cm) H x 36.6" (93cm) W x 55.9" (142cm) D
SFG500TM	485 lbs. (220Kg)	518 lbs. (235Kg)	61.4" (156cm) H x 36.6" (93cm) W x 55.9" (142cm) D



Univex Corporation
www.Univexcorp.com

3 Old Rockingham Rd
Salem, NH 03079
United States of America

TEL: (800)258-6358
INTL TEL: (603)893-6191
FAX: (800)356-5614
INTL FAX: (603)893-1249